

Panasonic
ideas for life

KEEP COOL!



Catalog

ASFN DC Fans / **ASEN** AC Fans





Contents

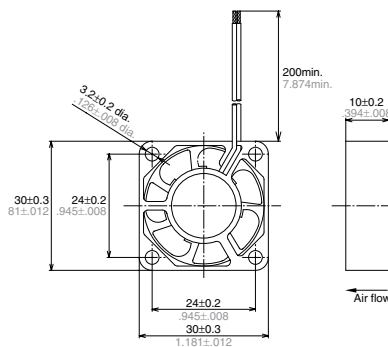
DC Fans

ASFN3	DC Fans 30x30x10 mm	3
ASFN4	DC Fans 40x40x10 mm	4
ASFN6	DC Fans 60x60x25 mm	5
ASFN8	DC Fans 80x80x25 mm	6
ASFN9	DC Fans 92x92x25 mm	7
ASFN1	DC Fans 120x120x25 mm.	8
ASFN1*B	DC Fans 120x120x38 mm.	9

AC Fans

ASEN6	AC Fans 60x60x30 mm	10
ASEN8	AC Fans 80x80x25 mm	11
ASEN8	AC Fans 80x80x38 mm	12
ASEN9	AC Fans 92x92x25 mm	13
ASEN1	AC Fans 120x120x25 mm.	14
ASEN1	AC Fans 120x120x38 mm.	15
ASEN5	AC Fans 150x172x38 mm.	16

Accessories	17
Fan lock sensor	18
Mounting hole dimensions	19

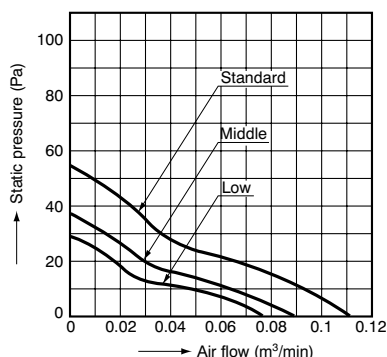


Features

- Dimensions: 30 x 30 x 10mm
- Rated voltages: 5VDC, 12VDC
- Several rotation speeds per model
- Blockage protection with automatic restart
- Reverse polarity and overvoltage protection
- Optional: Lock sensor output (alarm is triggered if fan is blocked)
- RoHS-compliant

ASFN3 Series 30 x 30 x 10mm		Rated voltage	Input power	Rated current	Rotation speed	Air flow	Static pressure	Noise	Weight	Characteristic curve (see diagram)
Without lock sensor	With lock sensor	VDC	W	mA	rpm	m ³ /min	Pa	dB(A)	kg	
ASFN34770	ASFN34790	5	0.65	130	7,500	0.078	29.00	21.0	0.0085	Low
ASFN34771	ASFN34791	12	1.08	90						Low
ASFN32770	ASFN32790	5	1.00	200	9,000	0.091	37.00	23.0		Middle
ASFN32771	ASFN32791	12	1.20	100						Middle
ASFN30770	ASFN30790	5	1.20	240	10,500	0.110	54.00	27.0		Standard
ASFN30771	ASFN30791	12	1.44	120						Standard

Diagram

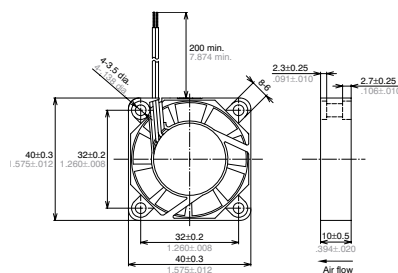


Materials used

Frame: Plastic
 Fan blades: Plastic
 Bearings: Ball bearings
 Lead wires: UL1061 and AWG26

Specifications

Operating voltage:	At 5V: 4.5 ~ 5.5V; at 12V: 6 ~ 13.8V
Ambient temperature:	-10°C to +60°C
Ambient humidity:	Max. 95% (RH)
Temperature rise:	Coil: max. 50°C; surface: max. 20°C
Breakdown voltage:	500VAC for 1min (between lead wires and frame)
Insulation resistance:	Min. 10MΩ (at 500VDC)
Lead wire tensile strength:	9.8N at 15s
Vibration resistance:	10 to 55Hz; amplitude 0.75mm; applied for 10min in 3 directions
Fan blockage:	No coil burnout after 72-hour blockage at nominal voltage
Reverse polarity protection:	No damage after brief reverse polarity connection at nominal voltage
Lifetime:	60,000 hours

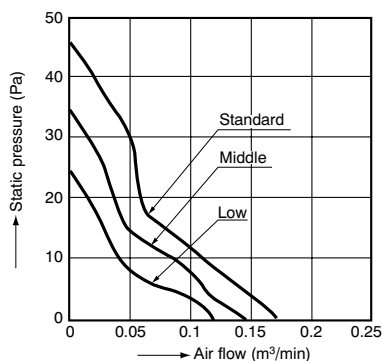


Features

- Dimensions: 40 x 40 x 10mm
- Rated voltages: 5VDC, 12VDC
- Several rotation speeds per model
- Blockage protection with automatic restart
- Reverse polarity and overvoltage protection
- Optional: Lock sensor output (alarm is triggered if fan is blocked)
- RoHS-compliant

ASFN4 Series 40 x 40 x 10mm		Rated voltage	Input power	Rated current	Rotation speed	Air flow	Static pressure	Noise	Weight	Characteristic curve (see diagram)
Without lock sensor	With lock sensor	VDC	W	mA	rpm	m³/min	Pa	dB(A)	kg	
ASFN44770	ASFN44790	5	0.50	100	4,500	0.12	24.00	22.0	0.015	Low
ASFN44771	ASFN44791	12	1.08	90						Low
ASFN42770	ASFN42790	5	0.80	160	5,500	0.15	34.00	25.0		Middle
ASFN42771	ASFN42791	12	1.20	100						Middle
ASFN40770	ASFN40790	5	1.05	210	6,500	0.17	46.00	29.0		Standard
ASFN40771	ASFN40791	12	1.20	100						Standard
Accessories	ASFN48001	Fan guard 40x40mm, 2 rings, UL/CSA								

Diagram

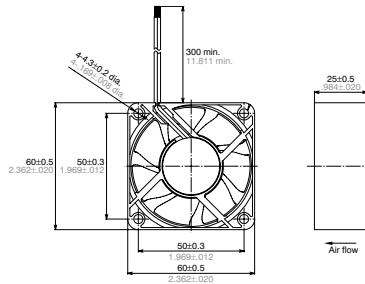


Materials used

- Frame: Plastic
- Fan blades: Plastic
- Bearings: Ball bearings
- Lead wires: UL1061 and AWG26

Specifications

Operating voltage:	At 5V: 4.5 ~ 5.5V; at 12V: 10.2 ~ 13.8V
Ambient temperature:	-10°C to +60°C
Ambient humidity:	Max. 95% (RH)
Temperature rise:	Coil: max. 50°C; surface: max. 20°C
Breakdown voltage:	500VAC for 1min (between lead wires and frame)
Insulation resistance:	Min. 10MΩ (at 500VDC)
Lead wire tensile strength:	9.8N at 15s
Vibration resistance:	10 to 55Hz; amplitude 0.75mm; applied for 10min in 3 directions
Fan blockage:	No coil burnout after 72-hour blockage at nominal voltage
Reverse polarity protection:	No damage after brief reverse polarity connection at nominal voltage
Lifetime:	60,000 hours

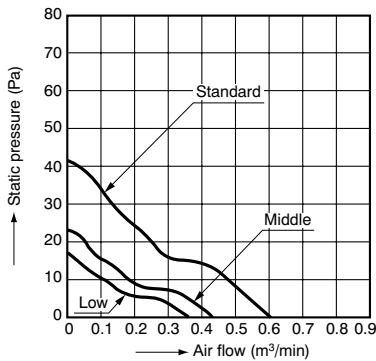


Features

- Dimensions: 60 x 60 x 25mm
- Rated voltages: 12VDC, 24VDC
- Several rotation speeds per model
- Blockage protection with automatic restart
- Reverse polarity and overvoltage protection
- Optional: Lock sensor output (alarm is triggered if fan is blocked)
- RoHS-compliant

ASFN6 Series 60 x 60 x 25mm		Rated voltage	Input power	Rated current	Rotation speed	Air flow	Static pressure	Noise	Weight	Characteristic curve (see diagram)
Without lock sensor	With lock sensor	VDC	W	mA	rpm	m ³ /min	Pa	dB(A)	kg	
ASFN64371	ASFN64391	12	0.84	70	2,550	0.37	17.20	19.0	0.065	Low
ASFN64372	ASFN64392	24	1.20	50						Low
ASFN62371	ASFN62391	12	1.20	100	3,000	0.44	23.40	22.5		Middle
ASFN62372	ASFN62392	24	1.44	60						Middle
ASFN60371	ASFN60391	12	1.92	160	4,050	0.61	41.70	30.5		Standard
ASFN60372	ASFN60392	24	2.40	100						Standard
ASFN66371	ASFN66391	12	3.12	260	4,900	0.75	60.30	36.5		On request
ASFN66372	ASFN66392	24	2.88	120						On request
Accessories	ASFN68001	Fan guard 60x60mm, 4 rings, UL/CSA								
	ASEN68002	Fan cover with filter								

Diagram

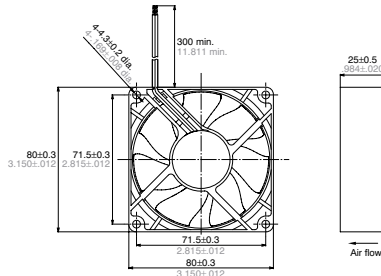


Materials used

- Frame: Plastic
- Fan blades: Plastic
- Bearings: Ball bearings
- Lead wires: UL1007 and AWG24

Specifications

Operating voltage:	At 12V: 6 ~ 13.8V; at 24V: 10 ~ 27.6V
Ambient temperature:	-10°C to +60°C
Ambient humidity:	Max. 95% (RH)
Temperature rise:	Coil: max. 50°C; surface: max. 20°C
Breakdown voltage:	500VAC for 1min (between lead wires and frame)
Insulation resistance:	Min. 10MΩ (at 500VDC)
Lead wire tensile strength:	9.8N at 15s
Vibration resistance:	10 to 55Hz; amplitude 0.75mm; applied for 10min in 3 directions
Fan blockage:	No coil burnout after 72-hour blockage at nominal voltage
Reverse polarity protection:	No damage after brief reverse polarity connection at nominal voltage
Lifetime:	70,000 hours

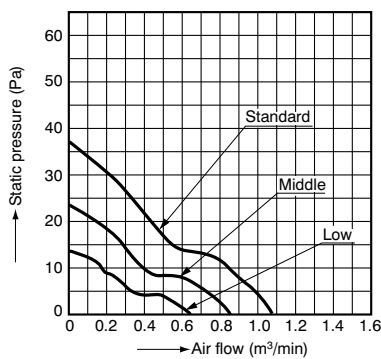


Features

- Dimensions: 80 x 80 x 25mm
- Rated voltages: 12VDC, 24VDC
- Several rotation speeds per model
- Blockage protection with automatic restart
- Reverse polarity and overvoltage protection
- Optional: Lock sensor output (alarm is triggered if fan is blocked)
- RoHS-compliant

ASFN8 Series 80 x 80 x 25mm		Rated voltage	Input power	Rated current	Rotation speed	Air flow	Static pressure	Noise	Weight	Characteristic curve (see diagram)
Without lock sensor	With lock sensor	VDC	W	mA	rpm	m³/min	Pa	dB(A)	kg	
ASFN84371	ASFN84391	12	1.20	100	1,900	0.68	14.20	22.0	0.08	Low
ASFN84372	ASFN84392	24	1.44	60						Low
ASFN82371	ASFN82391	12	2.04	170	2,400	0.88	24.30	27.0		Middle
ASFN82372	ASFN82392	24	2.16	90						Middle
ASFN80371	ASFN80391	12	3.96	330	2,950	1.09	36.60	32.5		Standard
ASFN80372	ASFN80392	24	4.32	180						Standard
ASFN86371	ASFN86391	12	5.28	440	3,250	1.20	44.70	35.0	On request	
ASFN86372	ASFN86392	24	5.04	210					On request	
Accessories	ASFN88001	Fan guard 80x80mm, 5 rings, UL/CSA								
	ASEN88001	Fan guard 80x80mm, 5 rings								
	ASEN88002	Fan cover with filter								

Diagram

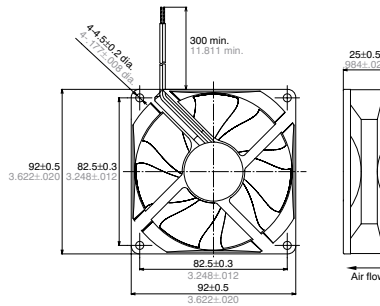


Materials used

- Frame: Plastic
- Fan blades: Plastic
- Bearings: Ball bearings
- Lead wires: UL1007 and AWG24

Specifications

Operating voltage:	At 12V: 6 ~ 13.8V; at 24V: 10 ~ 27.6V
Ambient temperature:	-10°C to +60°C
Ambient humidity:	Max. 95% (RH)
Temperature rise:	Coil: max. 50°C; surface: max. 20°C
Breakdown voltage:	500VAC for 1min (between lead wires and frame)
Insulation resistance:	Min. 10MΩ (at 500VDC)
Lead wire tensile strength:	9.8N at 15s
Vibration resistance:	10 to 55Hz; amplitude 0.75mm; applied for 10min in 3 directions
Fan blockage:	No coil burnout after 72-hour blockage at nominal voltage
Reverse polarity protection:	No damage after brief reverse polarity connection at nominal voltage
Lifetime:	60,000 hours

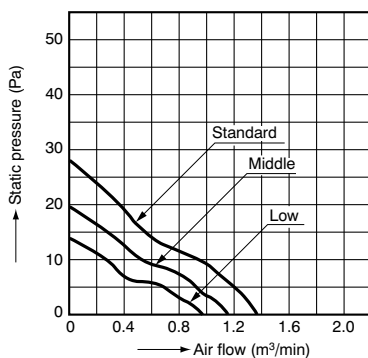


Features

- Dimensions: 92 x 92 x 25mm
- Rated voltages: 12VDC, 24VDC
- Several rotation speeds per model
- Blockage protection with automatic restart
- Reverse polarity and overvoltage protection
- Optional: Lock sensor output (alarm is triggered if fan is blocked)
- RoHS-compliant

ASFN9 Series 92 x 92 x 25mm		Rated voltage	Input power	Rated current	Rotation speed	Air flow	Static pressure	Noise	Weight	Characteristic curve (see diagram)
Without lock sensor	With lock sensor	VDC	W	mA	rpm	m ³ /min	Pa	dB(A)	kg	
ASFN94371	ASFN94391	12	1.44	120	1,700	0.98	14.40	22.0	0.085	Low
ASFN94372	ASFN94392	24	1.68	70						Low
ASFN92371	ASFN92391	12	2.16	180	2,000	1.17	20.00	27.0		Middle
ASFN92372	ASFN92392	24	2.16	90						Middle
ASFN90371	ASFN90391	12	3.00	250	2,350	1.38	27.60	32.0		Standard
ASFN90372	ASFN90392	24	3.12	130						Standard
ASFN96371	ASFN96391	12	4.20	350	2,750	1.61	37.50	35.5		On request
ASFN96372	ASFN96392	24	5.28	220						On request
Accessories	ASFN98001	Fan guard 92x92mm, 6 rings, UL/CSA								
	ASEN98001	Fan guard 92x92mm, 7 rings								
	ASEN88002	Fan cover with filter								

Diagram

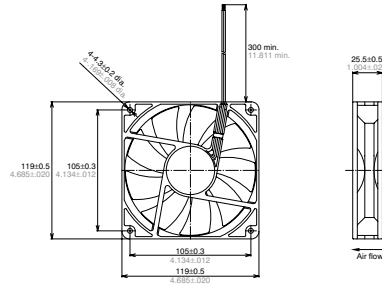


Materials used

- Frame: Plastic
 Fan blades: Plastic
 Bearings: Ball bearings
 Lead wires: UL1007 and AWG24

Specifications

Operating voltage:	At 12V: 6 ~ 13.8V; at 24V: 10 ~ 27.6V
Ambient temperature:	-10°C to +60°C
Ambient humidity:	Max. 95% (RH)
Temperature rise:	Coil: max. 50°C; surface: max. 20°C
Breakdown voltage:	500VAC for 1min (between lead wires and frame)
Insulation resistance:	Min. 10MΩ (at 500VDC)
Lead wire tensile strength:	9.8N at 15s
Vibration resistance:	10 to 55Hz; amplitude 0.75mm; applied for 10min in 3 directions
Fan blockage:	No coil burnout after 72-hour blockage at nominal voltage
Reverse polarity protection:	No damage after brief reverse polarity connection at nominal voltage
Lifetime:	60,000 hours

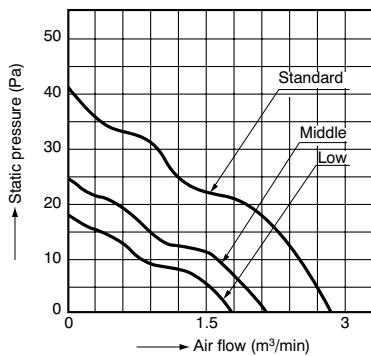


Features

- Dimensions: 120 x 120 x 25mm
- Rated voltages: 12VDC, 24VDC
- Several rotation speeds per model
- Blockage protection with automatic restart
- Reverse polarity and overvoltage protection
- Optional: Lock sensor output (alarm is triggered if fan is blocked)
- RoHS-compliant

ASFN1 Series 120 x 120 x 25mm		Rated voltage	Input power	Rated current	Rotation speed	Air flow	Static pressure	Noise	Weight	Characteristic curve (see diagram)
Without lock sensor	With lock sensor	VDC	W	mA	rpm	m ³ /min	Pa	dB(A)	kg	
ASFN14371	ASFN14391	12	1.92	160	1,600	1.80	17.90	27.0	0.18	Low
ASFN14372	ASFN14392	24	2.40	100						Low
ASFN12371	ASFN12391	12	3.00	250	1,900	24.80	31.0	Middle		
ASFN12372	ASFN12392	24	3.12	130				Middle		
ASFN10371	ASFN10391	12	6.24	520	2,500	40.90	38.5	Standard		
ASFN10372	ASFN10392	24	6.96	290				Standard		
ASFN16371	ASFN16391	12	8.64	720	2,800	50.50	41.5	On request		
ASFN16372	ASFN16392	24	9.12	380				On request		
Accessories	ASFN18001	Fan guard 120x120mm, 6 rings, UL/CSA								
	ASEN18001	Fan guard 120x120mm, 7 rings								
	ASEN18002	Fan cover with filter								

Diagram

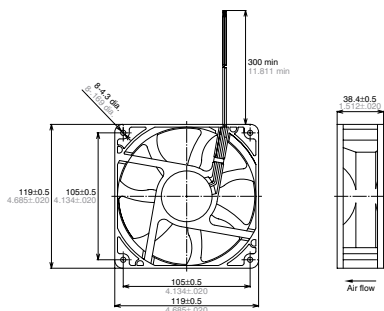


Materials used

- Frame: Plastic
- Fan blades: Plastic
- Bearings: Ball bearings
- Lead wires: UL1007 and AWG24

Specifications

Operating voltage:	At 12V: 6 ~ 13V; at 24V: 10 ~ 27.6V
Ambient temperature:	-10°C to +60°C
Ambient humidity:	Max. 95% (RH)
Temperature rise:	Coil: max. 50°C; surface: max. 20°C
Breakdown voltage:	500VAC for 1min (between lead wires and frame)
Insulation resistance:	Min. 10MΩ (at 500VDC)
Lead wire tensile strength:	9.8N at 15s
Vibration resistance:	10 to 55Hz; amplitude 0.75mm; applied for 10min in 3 directions
Fan blockage:	No coil burnout after 72-hour blockage at nominal voltage
Reverse polarity protection:	No damage after brief reverse polarity connection at nominal voltage
Lifetime:	100,000 hours

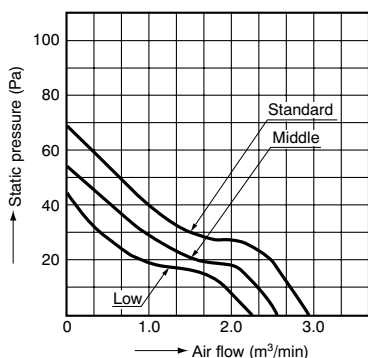


Features

- Dimensions: 120 x 120 x 38mm
- Rated voltages: 12VDC, 24VDC
- Special variant: 48VDC (on request)
- Several rotation speeds per model
- Blockage protection with automatic restart
- Reverse polarity and overvoltage protection
- Optional: Lock sensor output (alarm is triggered if fan is blocked)
- RoHS-compliant

ASFN1*B Series 120 x 120 x 38mm		Rated voltage	Input power	Rated current	Rotation speed	Air flow	Static pressure	Noise	Weight	Characteristic curve (see diagram)
Without lock sensor	With lock sensor	VDC	W	mA	rpm	m ³ /min	Pa	dB(A)	kg	
ASFN14B71	ASFN14B91	12	4.20	350	2,300	2.27	44.10	37.0	0.26	Low
ASFN14B72	ASFN14B92	24	4.80	200						Low
ASFN12B71	ASFN12B91	12	6.24	520	2,650	2.75	55.90	41.0		Middle
ASFN12B72	ASFN12B92	24	6.72	280						Middle
ASFN10B71	ASFN10B91	12	8.64	720	2,950	3.07	68.10	42.5		Standard
ASFN10B72	ASFN10B92	24	9.60	400						Standard
ASFN16B71	ASFN16B91	12	10.80	900	3,200	3.34	81.40	46.5		On request
ASFN16B72	ASFN16B92	24	11.04	460						On request
Accessories	ASFN18001	Fan guard 120x120mm, 6 rings, UL/CSA								
	ASEN18001	Fan guard 120x120mm, 7 rings								
	ASEN18002	Fan cover with filter								

Diagram

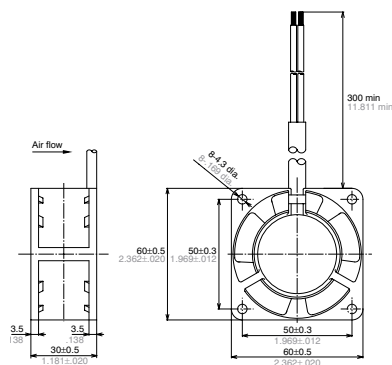


Materials used

- Frame: Plastic
- Fan blades: Plastic
- Bearings: Ball bearings
- Lead wires: Cables UL1061 and AWG26

Specifications

Operating voltage:	At 12V: 6 ~ 13.8V; at 24V: 10 ~ 27.6V
Ambient temperature:	-10°C to +60°C
Ambient humidity:	Max. 95% (RH)
Temperature rise:	Coil: max. 50°C; surface: max. 20°C
Breakdown voltage:	500VAC for 1min (between lead wires and frame)
Insulation resistance:	Min. 10MΩ (at 500VDC)
Lead wire tensile strength:	9.8N at 15s
Vibration resistance:	10 to 55Hz; amplitude 0.75mm; applied for 10min in 3 directions
Fan blockage:	No coil burnout after 72-hour blockage at nominal voltage
Reverse polarity protection:	No damage after brief reverse polarity connection at nominal voltage
Lifetime:	50,000 hours

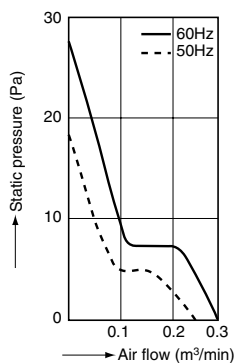


Features

- Dimensions: 60 x 60 x 30mm
- Rated voltages: 100VAC, 115VAC
- Frame: die-cast aluminum
- Propeller: reinforced plastic
- RoHS-compliant

ASEN6 Series 60x60x30mm	Rated voltage	Frequency	Input power	Rated current	Rotation speed	Air flow	Static pressure	Noise	Weight
	VAC	Hz	W	mA	rpm	m ³ /min	Pa	dB(A)	kg
ASEN60511	100	50/60	6/5	80/70	2,000/2,600	0.2/0.26	13.7/22.6	28/29	0.14
ASEN60512	115	50/60	4.5/4	70/60					
Accessories									
ASFN68001	Fan guard 60x60mm, 4 rings, UL/CSA								
ASEN68002	Fan cover with filter								

Diagram

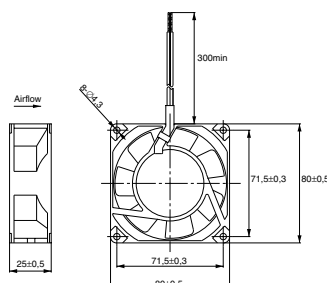


Materials used

- Frame: Aluminum alloy
 Fan blades: Fiberglass-reinforced plastic
 Bearings: Ball bearings
 Lead wires: UL3266 and AWG22

Specifications

Operating voltage:	±10% of rated voltage
Ambient temperature:	Storage: -20°C to +70°C; operation: -10°C to +60°C
Ambient humidity:	Max. 85% (RH)
Temperature rise:	Coil: max. 50°C; surface: max. 20°C
Breakdown voltage:	1,500VAC for 1min
Insulation resistance:	Min. 100MΩ (at 500VDC)
Vibration resistance:	10 to 55Hz; amplitude 0.75mm; applied for 10min in 3 directions
Fan blockage:	No coil burnout after 72-hour blockage at nominal voltage
Protection:	Impedance protected
Lifetime:	50,000 hours

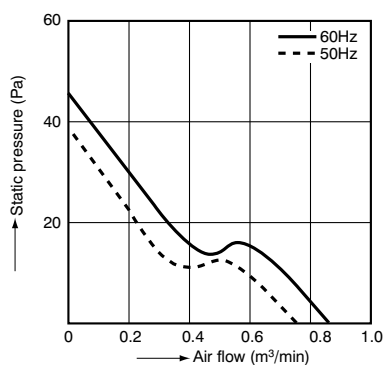


Features

- Dimensions: 80 x 80 x 25mm
- Rated voltages: 100VAC, 115VAC
- Frame: die-cast aluminum
- Propeller: reinforced plastic
- RoHS-compliant

ASEN8 Series 80 x 80 x 25mm	Rated voltage	Frequency	Input power	Rated current	Rotation speed	Air flow	Static pressure	Noise	Weight
	VAC	Hz	W	mA	rpm	m ³ /min	Pa	dB(A)	kg
ASEN80211	100	50/60	6/5	90/80	2,400/2,750	44.4/51.0	37.5/43.0	28/33	0.22
ASEN80212	115			80/70					
ASEN80214	200		7/6	60/50	2,500/3,000	34.2/40.8	39.0/55.0	24/31	
ASEN80215	220		7.6/6.5	55/45					
ASEN80216	230			50/45					
ASEN80217	240			50/45					
Accessories									
ASFN88001	Fan guard 80 x 80mm, 5 rings, UL/CSA								
ASEN88001	Fan guard 80 x 80mm, 5 rings								
ASEN88002	Fan cover with filter								

Diagram

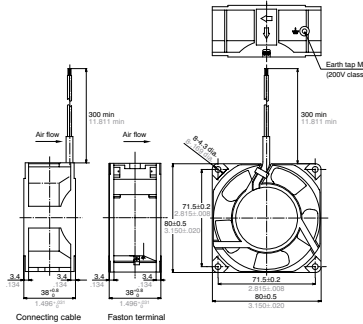


Materials used

- Frame: Aluminum alloy
- Fan blades: Fiberglass-reinforced plastic
- Bearings: Ball bearings
- Lead wires: UL3266 and AWG22

Specifications

Operating voltage:	±10% of rated voltage
Ambient temperature:	Storage: -20°C to +70°C; operation: -10°C to +60°C
Ambient humidity:	Max. 85% (RH)
Temperature rise:	Coil: max. 50°C; surface: max. 20°C
Breakdown voltage:	1,500VAC for 1min
Insulation resistance:	Min. 100MΩ (at 500VDC)
Vibration resistance:	10 to 55Hz; amplitude 0.75mm; applied for 10min in 3 directions
Protection:	Impedance protected
Lifetime:	50,000 hours

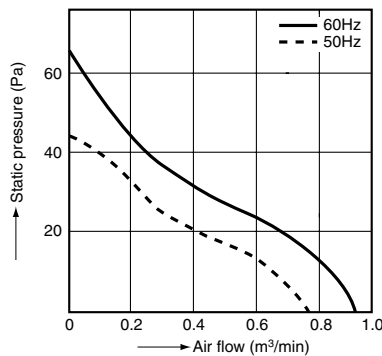


Features

- Dimensions: 80 x 80 x 38mm
- 6 rated voltages: 100VAC to 240VAC
- Frame: die-cast aluminum
- Propeller: reinforced plastic
- RoHS-compliant

ASEN8 Series 80 x 80 x 38mm		Rated voltage	Frequency	Input power	Rated current	Rotation speed	Air flow	Static pressure	Noise	Weight
Lead wire type	Faston terminal type	VAC	Hz	W	mA	rpm	m ³ /min	Pa	dB(A)	kg
ASEN80411	ASEN804519	100	50/60	9.0/7.0	170/120	2,700/3,200	0.75/0.90	44.2/62.8	33/38	0.3
ASEN80412	ASEN804529	115			140/110					
ASEN80414	ASEN804549	200			80/65					
ASEN80415	ASEN804559	220		70/60						
ASEN80416	ASEN804569	230		10.0/8.0	70/55					
ASEN80417	ASEN804579	240		12.0/9.0	75/60					
Accessories	ASFN88001	Fan guard 80x80mm, 5 rings, UL/CSA								
	ASEN88001	Fan guard 80x80mm, 5 rings								
	ASEN88002	Fan cover with filter								

Diagram

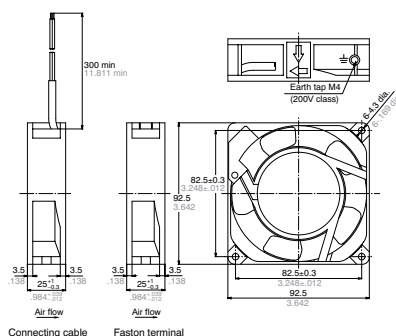


Materials used

- Frame: Aluminum alloy
- Fan blades: Fiberglass-reinforced plastic
- Bearings: Ball bearings
- Lead wires: UL3266 and AWG22
- Faston terminal: Faston #110

Specifications

Operating voltage:	±10% of rated voltage
Ambient temperature:	Storage: -20°C to +70°C; operation: -10°C to +60°C
Ambient humidity:	Max. 85% (RH)
Temperature rise:	Coil: max. 50°C; surface: max. 20°C
Breakdown voltage:	1,500VAC for 1min
Insulation resistance:	Min. 100MΩ (at 500VDC)
Vibration resistance:	10 to 55Hz; amplitude 0.75mm; applied for 10min in 3 directions
Protection:	Impedance protected
Lifetime:	50,000 hours

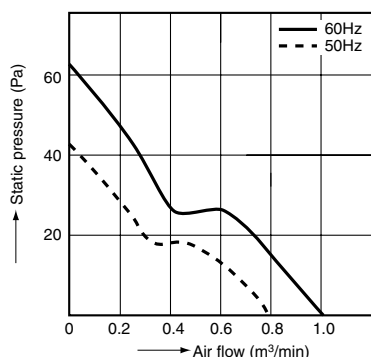


Features

- Dimensions: 92 x 92 x 25mm
- 6 rated voltages: 100VAC to 240VAC
- Frame: die-cast aluminum
- Propeller: reinforced plastic
- RoHS-compliant

ASEN9 Series 92 x 92 x 25mm		Rated voltage	Frequency	Input power	Rated current	Rotation speed	Air flow	Static pressure	Noise	Weight
Lead wire type	Faston terminal type	VAC	Hz	W	mA	rpm	m ³ /min	Pa	dB(A)	kg
ASEN90211	ASEN902519	100	50/60	13.0/10.0	190/150	2,600/3,100	0.80/0.98	43.2/60.9	34/39	0.3
ASEN90212	ASEN902529	115		12.0/9.0	170/130					
ASEN90214	ASEN902549	200		100/80						
ASEN90215	ASEN902559	220		100/80						
ASEN90216	ASEN902569	230		90/70						
ASEN90217	ASEN902579	240		85/65						
Accessories	ASFN98001	Fan guard 92 x 92mm, 6 rings, UL/CSA								
	ASEN98001	Fan guard 92 x 92mm, 7 rings								
	ASEN98002	Fan cover with filter								

Diagram

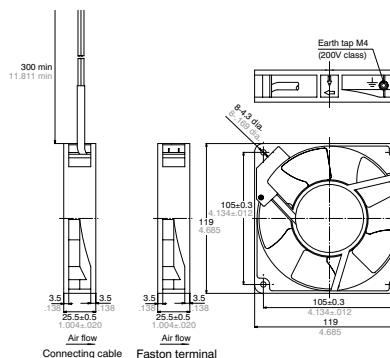


Materials used

- Frame: Aluminum alloy
- Fan blades: Fiberglass-reinforced plastic
- Bearings: Ball bearings
- Lead wires: UL3266 and AWG22
- Faston terminal: Faston #110

Specifications

Operating voltage:	±10% of rated voltage
Ambient temperature:	Storage: -20°C to +70°C; operation: -10°C to +60°C
Ambient humidity:	Max. 85% (RH)
Temperature rise:	Coil: max. 50°C; surface: max. 20°C
Breakdown voltage:	1,500VAC for 1min
Insulation resistance:	Min. 100MΩ (at 500VDC)
Vibration resistance:	10 to 55Hz; amplitude 0.75mm; applied for 10min in 3 directions
Protection:	Impedance protected
Lifetime:	50,000 hours

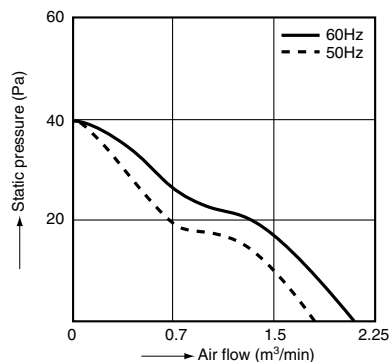


Features

- Dimensions: 120 x 120 x 25mm
- 6 rated voltages: 100VAC to 240VAC
- Frame: die-cast aluminum
- Propeller: reinforced plastic
- RoHS-compliant

ASEN1 Series 120 x 120 x 25mm		Rated voltage	Frequency	Input power	Rated current	Rotation speed	Air flow	Static pressure	Noise	Weight
Lead wire type	Faston terminal type	VAC	Hz	W	mA	rpm	m ³ /min	Pa	dB(A)	kg
ASEN10211	ASEN102519	100	50/60	14.0/11.0	220/180	2,300/2,700	1.8/2.0	41.2/41.2	34/38	0.36
ASEN10212	ASEN102529	115			190/160					
ASEN10214	ASEN102549	200			110/90					
ASEN10215	ASEN102559	220			100/80					
ASEN10216	ASEN102569	230			100/90					
ASEN10217	ASEN102579	240			15.0/13.0					
Accessories	ASFN18001	Fan guard 120x120mm, 6 rings, UL/CSA								
	ASEN18001	Fan guard 120x120mm, 7 rings								
	ASEN18002	Fan cover with filter								

Diagram

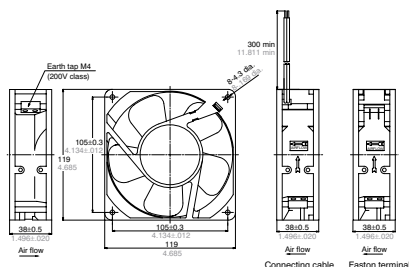


Materials used

- Frame: Aluminum alloy
- Fan blades: Fiberglass-reinforced plastic
- Bearings: Ball bearings
- Lead wires: UL3266 and AWG22
- Faston terminal: Faston #110

Specifications

Operating voltage:	±10% of rated voltage
Ambient temperature:	Storage: -20°C to +70°C; operation: -10°C to +60°C
Ambient humidity:	Max. 85% (RH)
Temperature rise:	Coil: max. 50°C; surface: max. 20°C
Breakdown voltage:	1,500VAC for 1min
Insulation resistance:	Min. 100MΩ (at 500VDC)
Vibration resistance:	10 to 55Hz; amplitude 0.75mm; applied for 10min in 3 directions
Protection:	Impedance protected
Lifetime:	50,000 hours

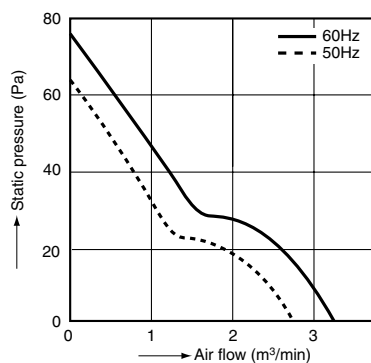


Features

- Dimensions: 120 x 120 x 38mm
- 6 rated voltages: 100VAC to 240VAC
- Frame: die-cast aluminum
- Propeller: reinforced plastic
- RoHS-compliant

ASEN1 Series 120 x 120 x 38mm		Rated voltage	Frequency	Input power	Rated current	Rotation speed	Air flow	Static pressure	Noise	Weight
Lead wire type	Faston terminal type	VAC	Hz	W	mA	rpm	m ³ /min	Pa	dB(A)	kg
ASEN10411	ASEN104519	100	50/60	15.0/14.0	270/230	2,600/2,900	2.5/2.9	64.7/76.4	37/41	0.55
ASEN10412	ASEN104529	115		15.5/14.5	250/210					
ASEN10414	ASEN104549	200		15.0/13.0	140/120					
ASEN10415	ASEN104559	220		14.0/13.0	120/100					
ASEN10416	ASEN104569	230		15.0/14.0	120/100					
ASEN10417	ASEN104579	240		14.0/13.0	110/100					
Accessories	ASFN18001	Fan guard 120x120mm, 6 rings, UL/CSA								
	ASEN18001	Fan guard 120x120mm, 7 rings								
	ASEN18002	Fan cover with filter								

Diagram

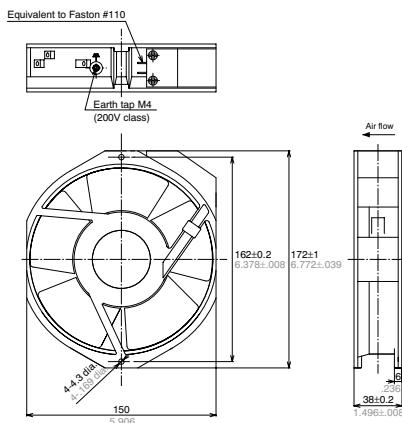


Materials used

- Frame: Aluminum alloy
- Fan blades: Fiberglass-reinforced plastic
- Bearings: Ball bearings
- Lead wires: UL3266 and AWG22
- Faston terminal: Faston #110

Specifications

Operating voltage:	±10% of rated voltage
Ambient temperature:	Storage: -20°C to +70°C; operation: -10°C to +60°C
Ambient humidity:	Max. 85% (RH)
Temperature rise:	Coil: max. 50°C; surface: max. 20°C
Breakdown voltage:	1,500VAC for 1min
Insulation resistance:	Min. 100MΩ (at 500VDC)
Vibration resistance:	10 to 55Hz; amplitude 0.75mm; applied for 10min in 3 directions
Protection:	Impedance protected
Lifetime:	50,000 hours

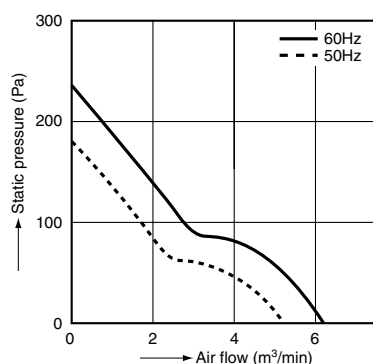


Features

- Dimensions: 150 x 172 x 38mm
- 6 rated voltages: 100VAC to 240VAC
- Frame: die-cast aluminum
- Propeller: reinforced plastic
- RoHS-compliant

ASEN5 Series 150 x 172 x 38mm	Rated voltage	Frequency	Input power	Rated current	Rotation speed	Air flow	Static pressure	Noise	Weight
Faston terminal type	VAC	Hz	W	mA	rpm	m ³ /min	Pa	dB(A)	kg
ASEN50751	100	50/60	37.0/33.0	470/440	2,700/3,200	5.0/6.0	157.0/215.8	52/56	0.8
ASEN50752	115		35.0/32.0	380/360					
ASEN50754	200		34.0/33.0	230/210					
ASEN50755	220		40.0/38.0	210/180					
ASEN50756	230		35.0/35.0	190/180					
ASEN50757	240		34.0/34.0	180/170					
Accessories									
ASEN58001	Fan guard 150x150mm, 9 rings, UL/CSA								

Diagram



Materials used

- Frame: Aluminum alloy
- Fan blades: Fiberglass-reinforced plastic
- Bearings: Ball bearings
- Lead wires: UL3266 and AWG22
- Faston terminal: Faston #110

Specifications

Operating voltage:	±10% of rated voltage
Ambient temperature:	Storage: -20°C to +70°C; operation: -10°C to +60°C
Ambient humidity:	Max. 85% (RH)
Temperature rise:	Coil: max. 50°C; surface: max. 20°C
Breakdown voltage:	1,500VAC for 1min
Insulation resistance:	Min. 100MΩ (at 500VDC)
Vibration resistance:	10 to 55Hz; amplitude 0.75mm; applied for 10min in 3 directions
Protection:	Impedance protected
Lifetime:	50,000 hours

Accessories

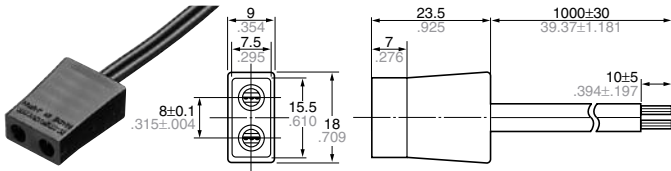
Dimensions (mm)

1. Connector cable for AC fans

ASE51100

Fan connector cable 1m

Two-core, injection-molded plastic twin cables (20/0.18) with center-fed, double-pole Faston terminal

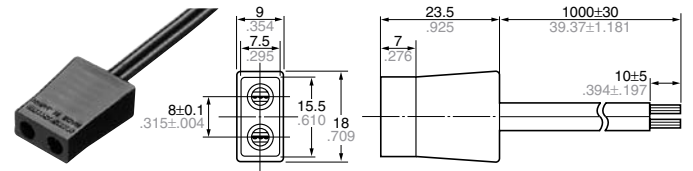


ASE51109

Fan connector cable 1m

Two-core, injection-molded plastic twin cables with center-fed, double-pole Faston terminal

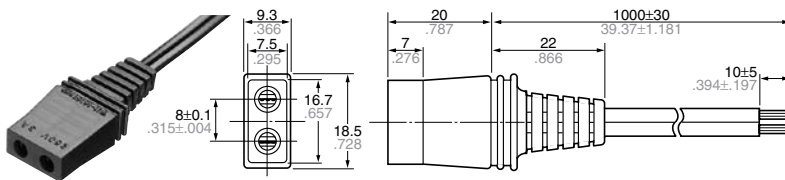
UL Standard: File No. E106219



ASE51107

Fan connector cable 1m

Two-core, injection-molded plastic twin cables (30/0.18) with center-fed, double-pole Faston terminal

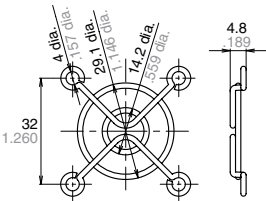


2. Fan guard (for DC and AC fans)

ASFN48001

For 40 x 40; 2 rings; UL/CSA

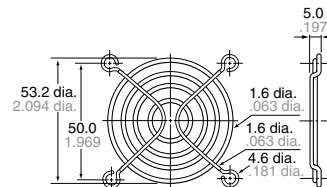
Material: steel, d=1.6mm



ASFN68001

For 60 x 60; 4 rings; UL/CSA

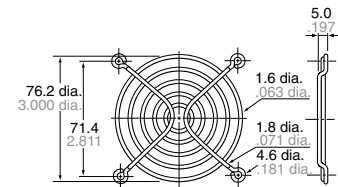
Material: steel, d=1.6mm



ASFN88001

For 80 x 80; 5 rings; UL/CSA

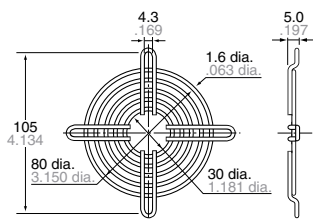
Material: steel, d=1.6mm



ASEN88001

For 80 x 80; 5 rings

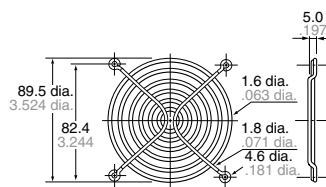
Material: steel, d=1.6mm



ASFN98001

For 92 x 92; 6 rings; UL/CSA

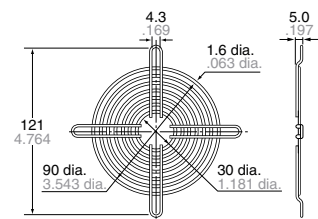
Material: steel, d=1.6mm



ASEN98001

For 92 x 92; 7 rings

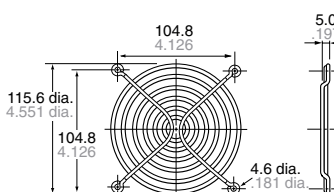
Material: steel, d=1.6mm



ASFN18001

For 120 x 120; 6 rings; UL/CSA

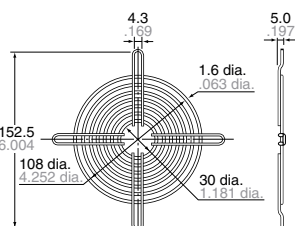
Material: steel, d=1.6mm



ASEN18001

For 120 x 120; 7 rings

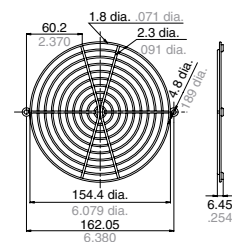
Material: steel, d=1.6mm



ASEN58001

For 150 x 150; 9 rings; UL/CSA

Material: steel, d=1.6mm

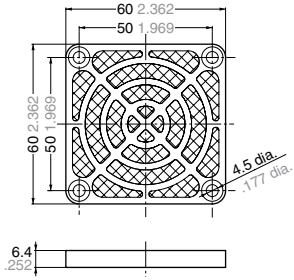


3. Fan cover with filter insert (for DC and AC fans)

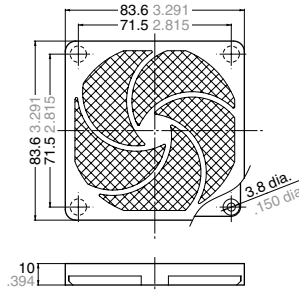


ASEN18002

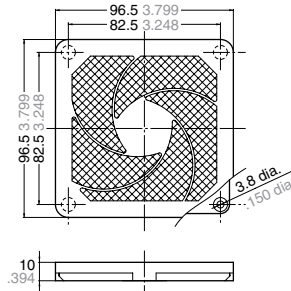
ASEN68002
For 60 x 60 Series



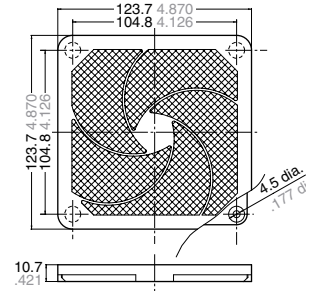
ASEN88002
For 80 x 80 Series



ASEN98002
For 90 x 90 Series



ASEN18002
For 120 x 120 Series

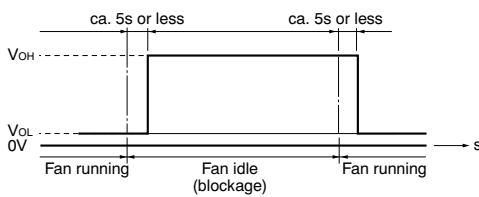


Fan lock sensor: operation details

DC Fan sensor output

In the ASFN series, the models designated "with lock sensor" have an additional output. If the fan propeller is blocked, a rectangular alarm signal is triggered at the sensor output. This signal can be used with an external circuit in order to monitor the fan - for example, to keep it from overheating.

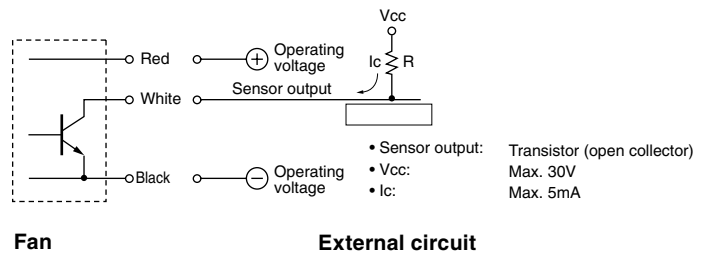
1. Sensor output switch action



Notes:

- Output may be high for approximately 0.5s when power is turned on.
- In case of fan blockage, the sensor signal is at a constant high.

2. External circuit



Notes:

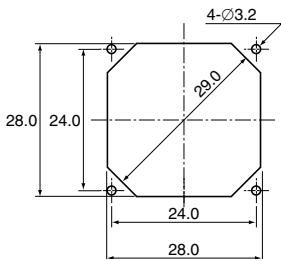
- Set the resistance (R) at a value which ensures that the sensor circuit current (Ic) does not exceed 5mA.
- If the sensor output is operating at the TTL level, the sensor circuit current (Ic) should be approximately 2mA.

Mounting hole dimensions (mm)

For DC Fans

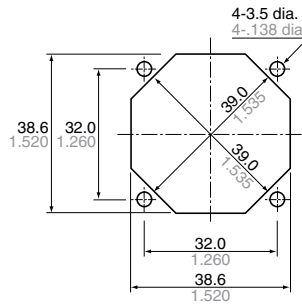
1. 30 x 30 Series

Discharge side / Suction side



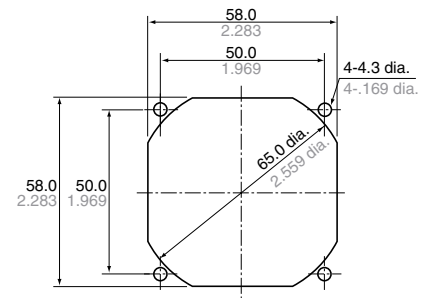
2. 40 x 40 Series

Discharge side / Suction side



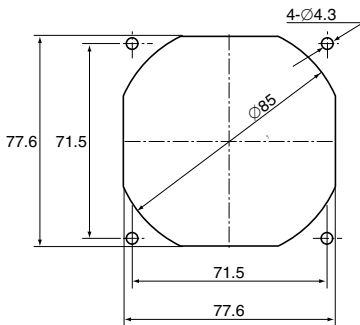
3. 60 x 60 Series

Discharge side / Suction side



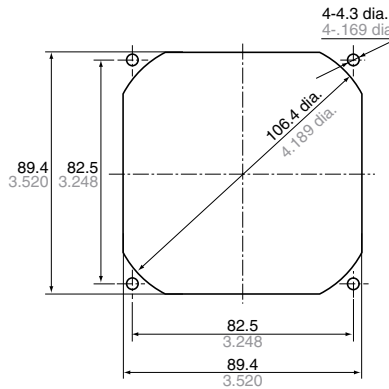
4. 80 x 80 Series

Discharge side / Suction side



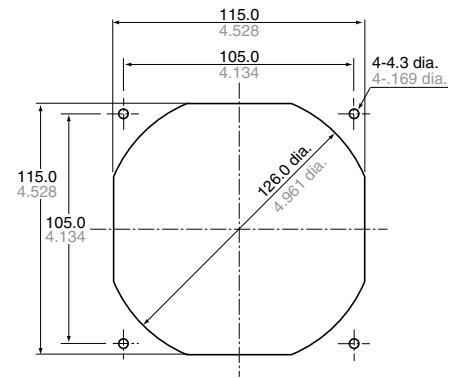
5. 92 x 92 Series

Discharge side / Suction side



6. 120 x 120 Series

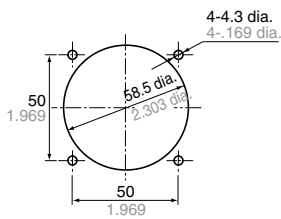
Discharge side / Suction side



For AC Fans

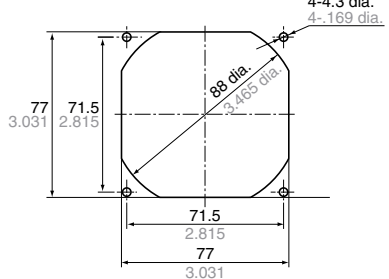
1. 60 x 60 Series

Discharge side / Suction side



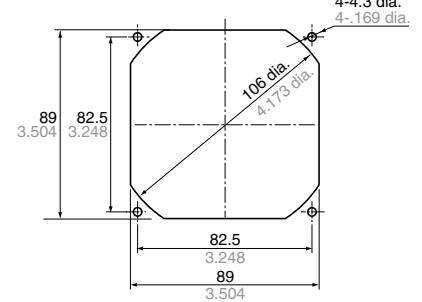
2. 80 x 80 Series

Discharge side / Suction side



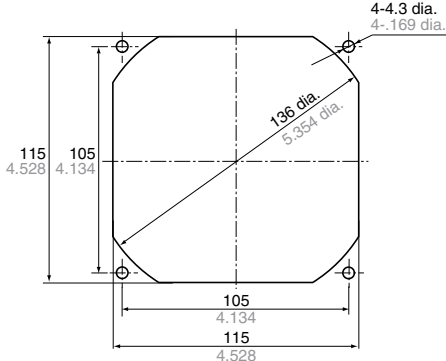
3. 92 x 92 Series

Discharge side / Suction side



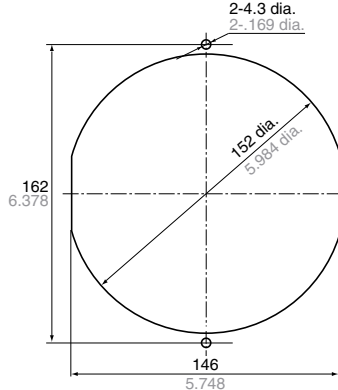
4. 120 x 120 Series

Discharge side / Suction side



5. 152 x 172 Series

Discharge side / Suction side



North America

Europe

Asia Pacific

China

Japan

Panasonic Electric Works

Please contact our Global Sales Companies in:

Europe

▶ Headquarters	Panasonic Electric Works Europe AG	Rudolf-Diesel-Ring 2, 83607 Holzkirchen, Tel. +49 (0) 8024 648-0, Fax +49 (0) 8024 648-111, www.panasonic-electric-works.com
▶ Austria	Panasonic Electric Works Austria GmbH	Rep. of PEWDE, Josef Madersperger Str. 2, 2362 Biedermansdorf, Tel. +43 (0) 2236-26846, Fax +43 (0) 2236-46133 www.panasonic-electric-works.at
	PEW Electronic Materials Europe GmbH	Ennshafenstraße 30, 4470 Enns, Tel. +43 (0) 7223 883, Fax +43 (0) 7223 88333, www.panasonic-electronic-materials.com
▶ Benelux	Panasonic Electric Works Sales Western Europe B.V.	De Rijn 4, (Postbus 211), 5684 PJ Best, (5680 AE Best), Netherlands, Tel. +31 (0) 499 372727, Fax +31 (0) 499 372185, www.panasonic-electric-works.nl
▶ Czech Republic	Panasonic Electric Works Czech s.r.o.	Průmyslová 1, 34815 Planá, Tel. (+420-)374 799 990, Fax (+420-)374 799 999, www.panasonic-electric-works.cz
▶ France	Panasonic Electric Works Sales Western Europe B.V.	Succursale française, 10, rue des petits ruisseaux, 91370 Verrières Le Buisson, Tél. +33 (0) 1 6013 5757, Fax +33 (0) 1 6013 5758, www.panasonic-electric-works.fr
▶ Germany	Panasonic Electric Works Deutschland GmbH	Rudolf-Diesel-Ring 2, 83607 Holzkirchen, Tel. +49 (0) 8024 648-0, Fax +49 (0) 8024 648-555, www.panasonic-electric-works.de
▶ Hungary	Panasonic Electric Works Europe AG	Magyarországi Közvetlen Kereskedelmi Képviselet, 1117 Budapest, Neumann János u. 1., Tel. +36 (0) 1482-9258, Fax +36 (0) 1482-9259, www.panasonic-electric-works.hu
▶ Ireland	Panasonic Electric Works UK Ltd.	Dublin, Tel. +353 (0) 14600969, Fax +353 (0) 14601131, www.panasonic-electric-works.co.uk
▶ Italy	Panasonic Electric Works Italia srl	Via del Commercio 3-5 (Z.I. Ferlina), 37012 Bussolengo (VR), Tel. +39 (0) 456752711, Fax +39 (0) 456700444, www.panasonic-electric-works.it
▶ Nordic Countries	Panasonic Electric Works Nordic AB PEW Fire & Security Technology Europe AB	Sjöängsvägen 10, 19272 Sollentuna, Sweden, Tel. +46 859476680, Fax +46 859476690, www.panasonic-electric-works.se
▶ Poland	Panasonic Electric Works Polska sp. z o.o	Jungmansgatan 12, 21119 Malmö, Tel. +46 40 697 7000, Fax +46 40 697 7099, www.panasonic-fire-security.com
▶ Portugal	Panasonic Electric Works España S.A.	Al. Krakowska 4/6, 02-284 Warszawa, Tel. +48 (0) 22 338-11-33, Fax +48 (0) 22 338-12-00, www.panasonic-electric-works.pl
▶ Spain	Panasonic Electric Works España S.A.	Portuguese Branch Office, Avda Adelino Amaro da Costa 728 R/C J, 2750-277 Cascais, Tel. +351 214812520, Fax +351 214812529
▶ Switzerland	Panasonic Electric Works Schweiz AG	Barajas Park, San Severo 20, 28042 Madrid, Tel. +34 913293875, Fax +34 913292976, www.panasonic-electric-works.es
▶ United Kingdom	Panasonic Electric Works UK Ltd.	Grundstrasse 8, 6343 Rotkreuz, Tel. +41 (0) 41 7997050, Fax +41 (0) 41 7997055, www.panasonic-electric-works.ch
		Sunrise Parkway, Linford Wood, Milton Keynes, MK14 6LF, Tel. +44 (0) 1908 231555, Fax +44 (0) 1908 231599, www.panasonic-electric-works.co.uk

North & South America

▶ USA	PEW Corporation of America	629 Central Avenue, New Providence, N.J. 07974, Tel. 1-908-464-3550, Fax 1-908-464-8513, www.pewa.panasonic.com
--------------	-----------------------------------	---

Asia Pacific / China / Japan

▶ China	Panasonic Electric Works (China) Co., Ltd.	Level 2, Tower W3, The Towers Oriental Plaza, No. 2, East Chang An Ave., Dong Cheng District, Beijing 100738, Tel. (010) 8518-5988, Fax (010) 8518-1297
▶ Hong Kong	Panasonic Electric Works (Hong Kong) Co., Ltd.	RM1205-9, 12/F, Tower 2, The Gateway, 25 Canton Road, Tsimshatsui, Kowloon, Hong Kong, Tel. (0852) 2956-3118, Fax (0852) 2956-0398
▶ Japan	Panasonic Electric Works Co., Ltd.	1048 Kadoma, Kadoma-shi, Osaka 571-8686, Japan, Tel. (06) 6908-1050, Fax (06) 6908-5781, http://panasonic-electric-works.net
▶ Singapore	Panasonic Electric Works Asia Pacific Pte. Ltd.	101 Thomson Road, #25-03/05, United Square, Singapore 307591, Tel. (06255) 5473, Fax (06253) 5689